

KR 8 R2100 arc HW



Technical data

| | |
|--|--|
| Maximum reach | 2101 mm |
| Rated payload | 8 kg |
| Rated supplementary load, rotating column / link arm / arm | 0 kg / 0 kg / 10 kg |
| Rated total load | 18 kg |
| Pose repeatability (ISO 9283) | ± 0.04 mm |
| Number of axes | 6 |
| Mounting position | Floor; Ceiling; Wall; Desired angle |
| Footprint | 430.5 mm x 370 mm |
| Weight | approx. 255 kg |

Axis data

| | |
|--------------------------|----------------|
| Motion range | |
| A1 | ±185 ° |
| A2 | -185 ° / 65 ° |
| A3 | -138 ° / 175 ° |
| A4 | ±165 ° |
| A5 | -115 ° / 140 ° |
| A6 | ±350 ° |
| Speed with rated payload | |
| A1 | 200 °/s |
| A2 | 175 °/s |
| A3 | 190 °/s |
| A4 | 430 °/s |
| A5 | 430 °/s |
| A6 | 630 °/s |

Operating conditions

| | |
|--------------------------------------|--------------------------------|
| Ambient temperature during operation | 5 °C to 55 °C (278 K to 328 K) |
|--------------------------------------|--------------------------------|

Protection rating

| | |
|----------------------------------|------|
| Protection rating | IP65 |
| Protection rating, in-line wrist | IP54 |

KUKA Roboter GmbH

Zugspitzstrasse 140, 86165 Augsburg, Germany. Tel.: +49 821 797-4000, www.kuka-robotics.com

Details provided about the properties and usability of the products are purely for information purposes and do not constitute a guarantee of these characteristics. The extent of goods delivered and services performed is determined by the subject matter of the specific contract. No liability accepted for errors or omissions.

0000-262-128 / V5.0 / 14.07.2017 / en



Controller

| | |
|------------|-------|
| Controller | KR C4 |
|------------|-------|

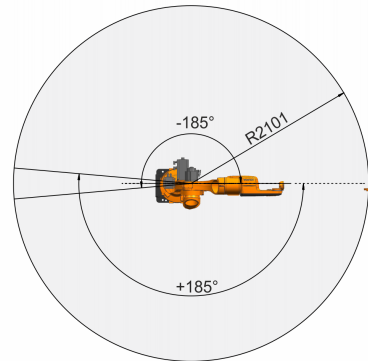
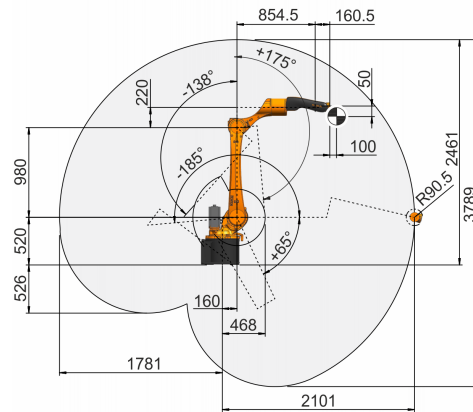


Teach pendant

| | |
|---------------|---------------|
| Teach pendant | KUKA smartPAD |
|---------------|---------------|

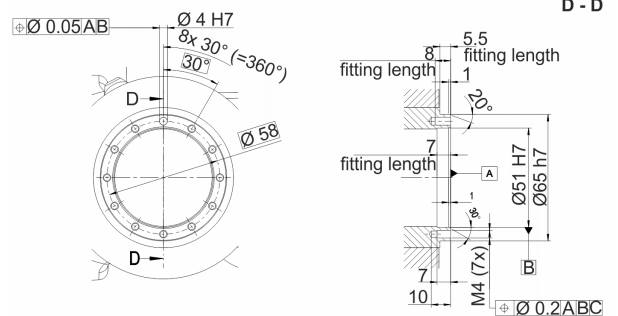
Workspace graphic

Dimensions: mm



Mounting flange

Dimensions: mm



KUKA